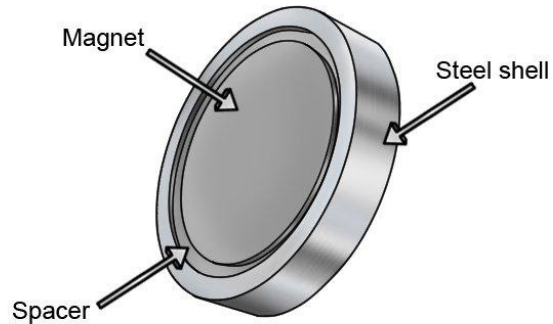




FISHING POT MAGNETS



Model	Diameter (mm)	Height (mm)	Thread	Pulling Force (kg)	Net Weight (Gram)
PME-RS48-1	48	18	M8	80	275
PME-RS60-1	60	22	M8	120	500
PME-RS67-1	67	25	M10	150	730
PME-RS75-1	75	25	M10	200	900
PME-RS94-1	94	28	M10	300	1540
PME-RS116-1	116	32	M12	400	1540
PME-RS136-1	136	34	M12	600	3850

Grade: N35 Coating: Nickel Eyebolt: 1 Piece (304)

